



# EG4 BRIGHTMOUNT

## ADJUSTABLE GROUND MOUNT SYSTEM



### PARTS

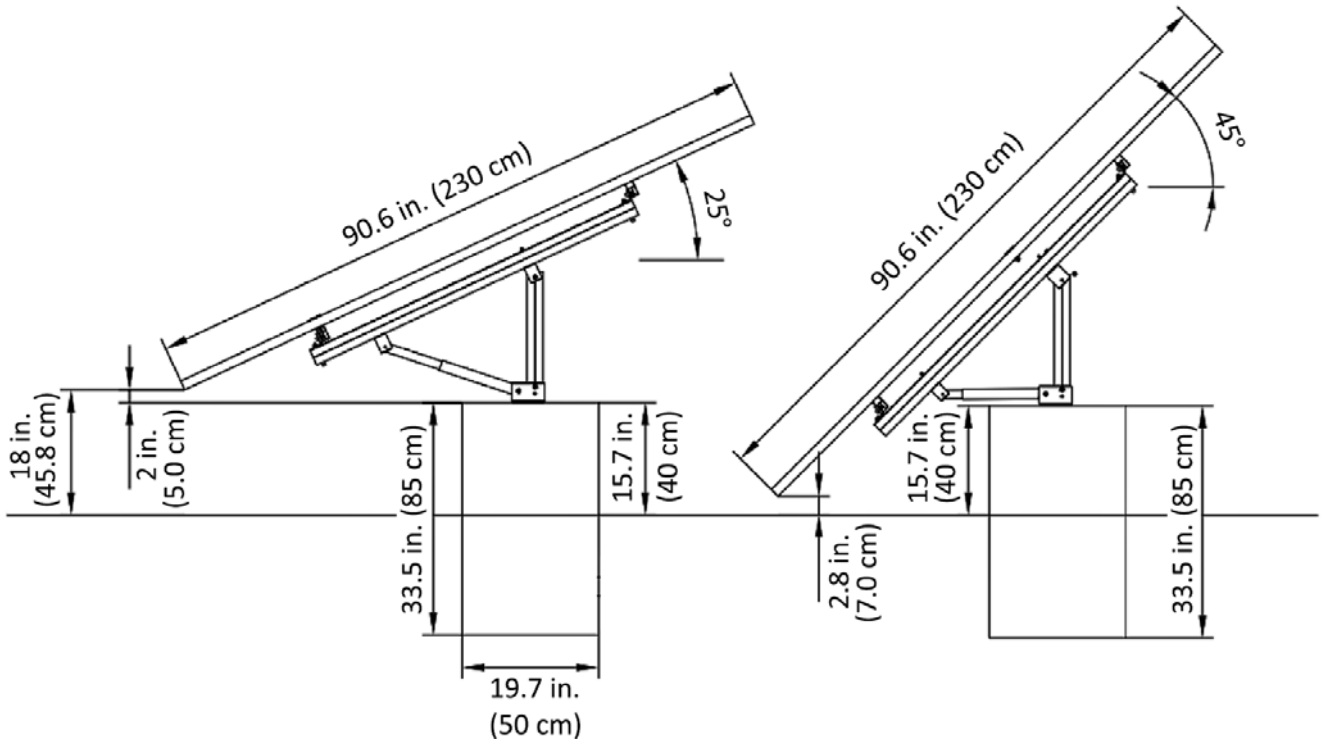
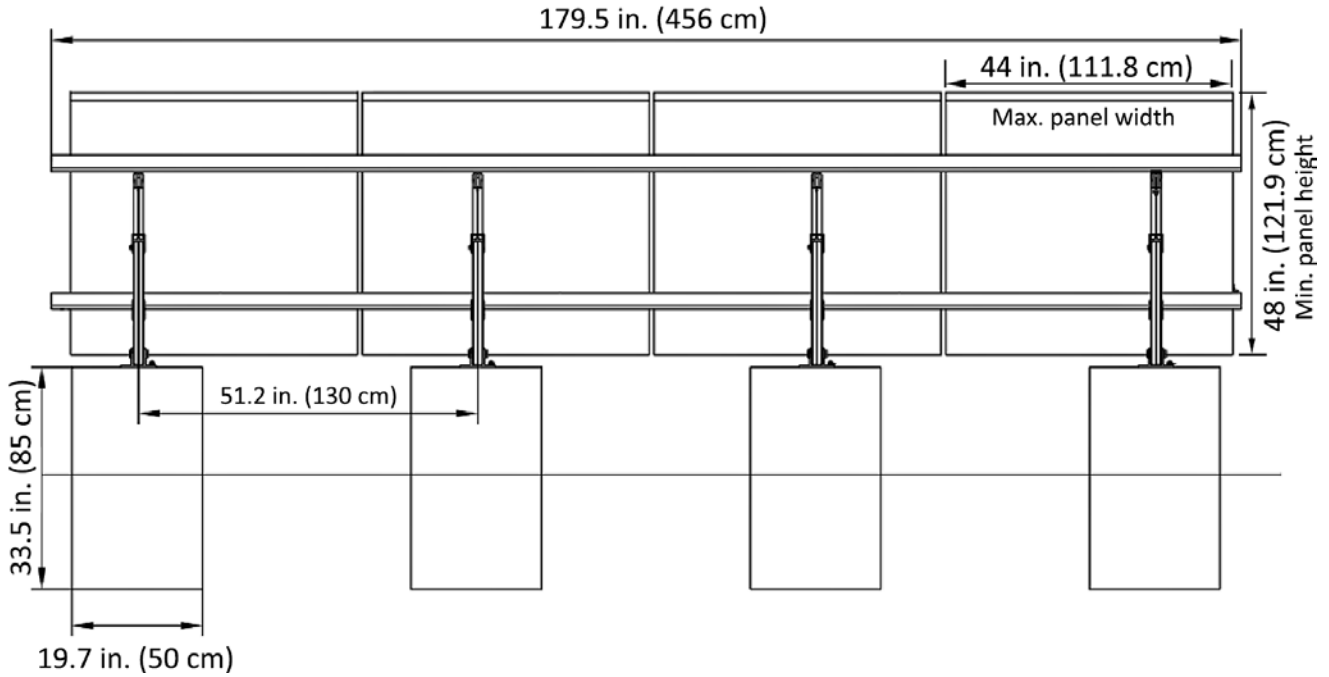
<p>1) Rack Rail</p> 	<p>2) Mid Clamp</p> 	<p>3) End Clamp</p> 
<p>4) Mount Group</p> 	<p>5) Grounding Lug Group</p> 	<p>6) Grounding Clip</p> 
<p>7) Anchor Bolt M10*100</p> 	<p>8) L Foot Group</p> 	<p>9) Splice Connector and Bonding Jumper</p> 





# DIMENSIONS AND LAYOUT

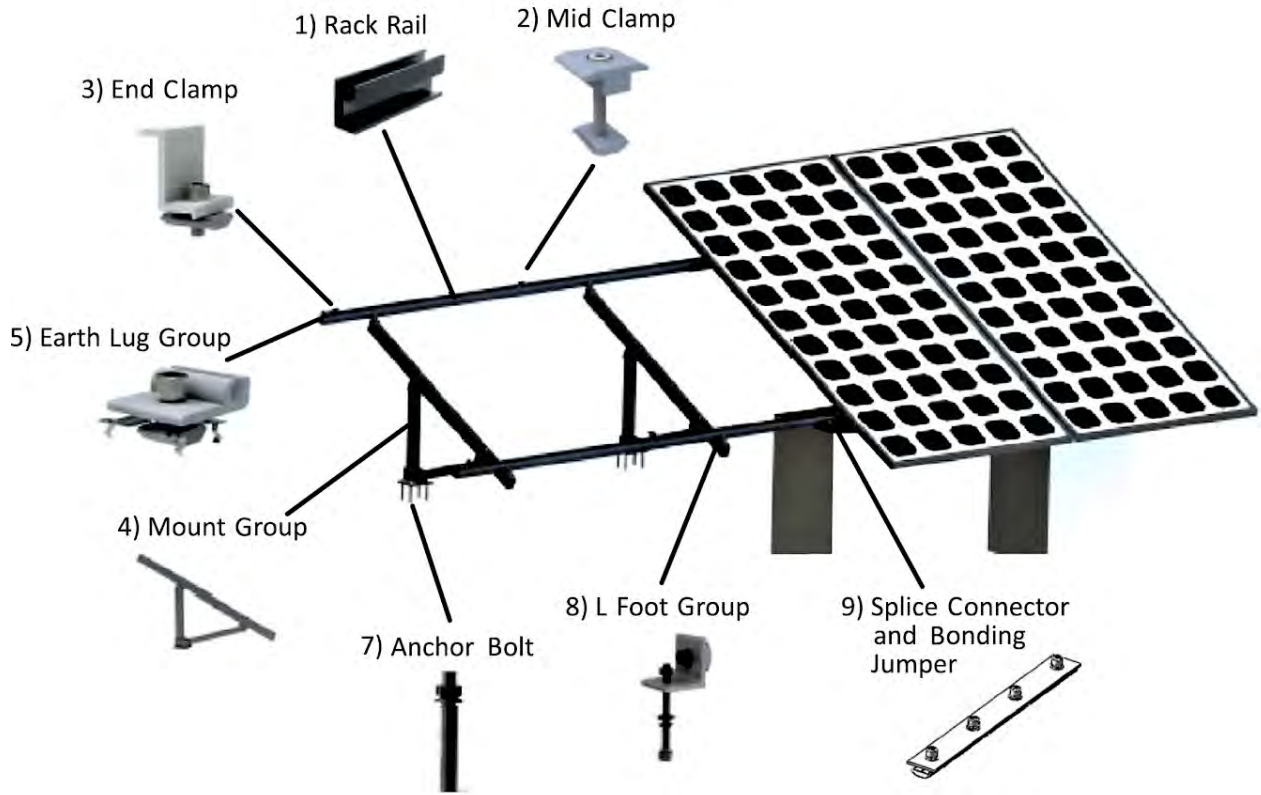
## ENGINEERING DRAWINGS





# LAYOUT AND INSTALLATION

## OVERALL LAYOUT



### Tools needed:



### Torque Recommendations:

Bolt	Recommended Torque	Bolt	Recommended Torque	Bolt	Recommended Torque
M8 bolt, M8 nut	115 in. lbs. (13 Nm)	M10 bolt, M10 nut	140 in. lbs. (25.8 Nm)	M8 bolt, N2 nut	97 in. lbs. (11 Nm)

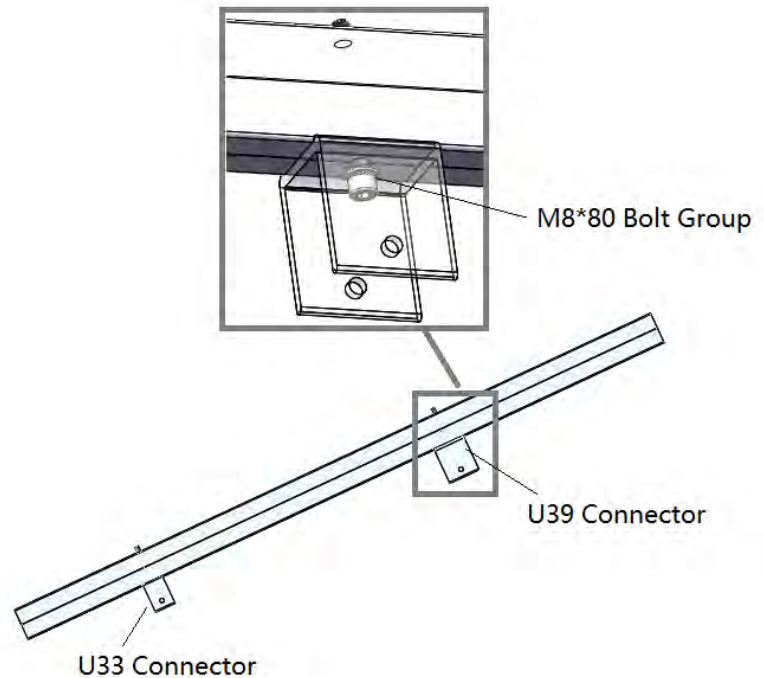




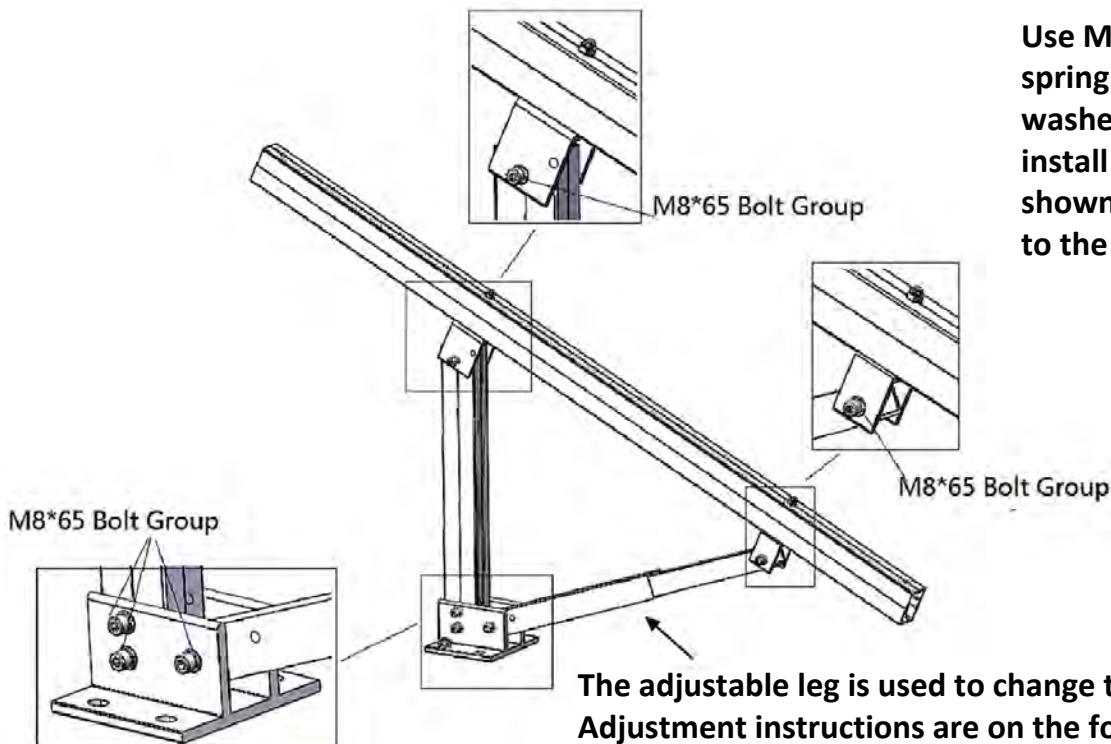
# INSTALLATION

## A) Leg Group Assembly

Use M8\*80 bolts, M8 spring washers, flat washers, and M8 nuts to install the U connectors as shown in the illustration to the right.



Use M8\*65 bolts, M8 spring washers, flat washers, and M8 nuts to install the mount group as shown in the illustration to the left.

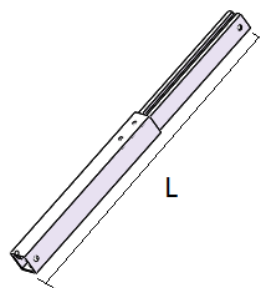




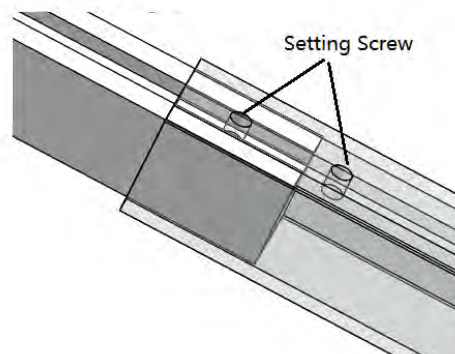
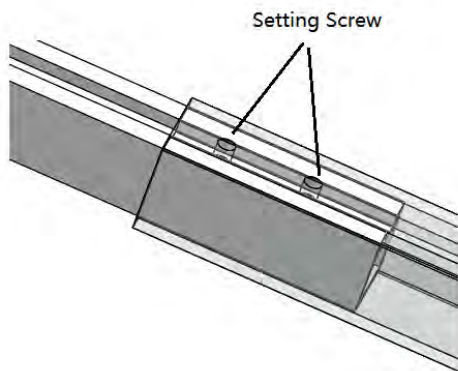
# INSTALLATION

Loosen set screws to adjust the angle of the array. Different angles correspond to the lengths provided in the chart below. The recommended torque for the set screws is 80 in. lbs. (9 Nm).

*Note: Both set screws must be secured to lock the adjustable leg in place.*



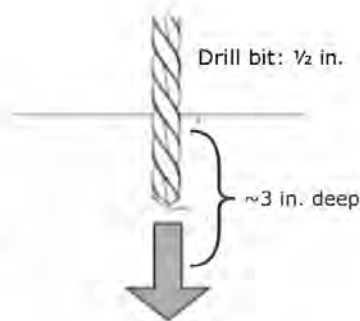
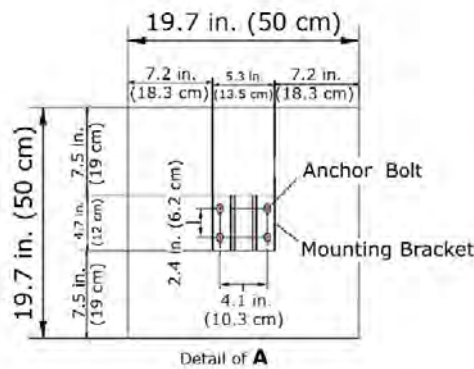
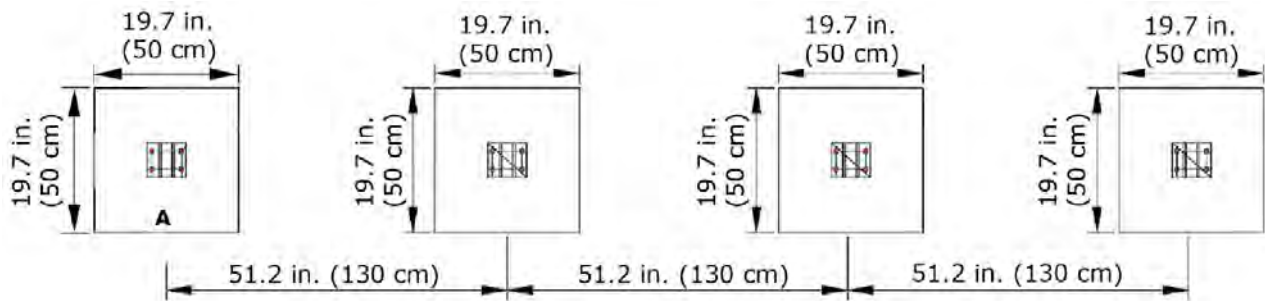
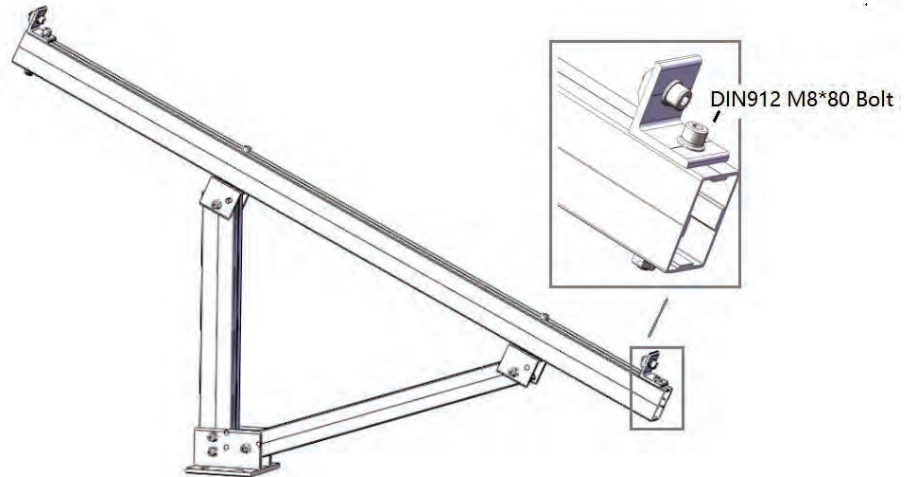
Angle	25°	30°	35°	40°	45°
Length (L)	21.8 in. (55.4 cm)	20.4 in. (51.7 cm)	18.9 in. (48 cm)	17.5 in. (44.4 cm)	16 in. (40.7 cm)



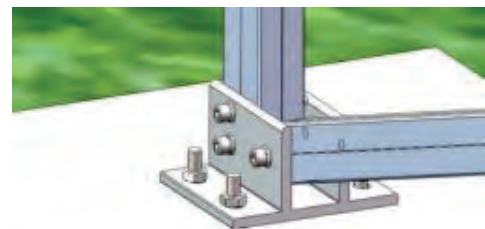


# INSTALLATION

Use M8\*80 bolts, M8 spring washers, flat washers, and M8 nuts to install L feet as shown in the illustrations to the right.



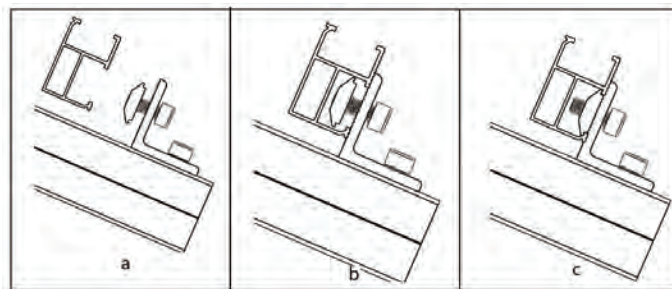
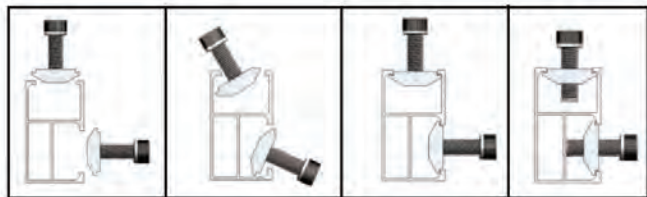
Use the provided anchor bolts to secure mounting brackets to the concrete anchors.



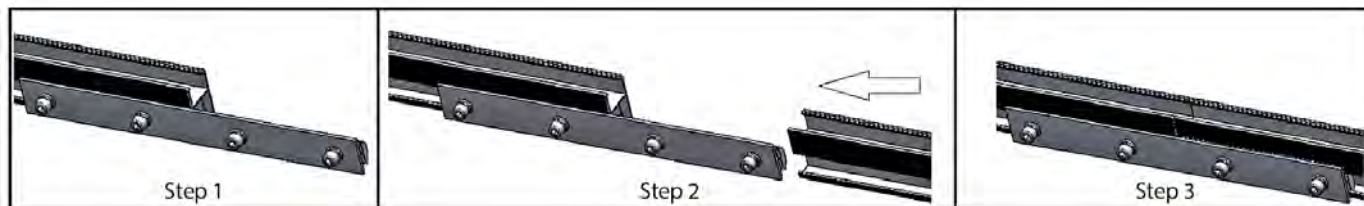
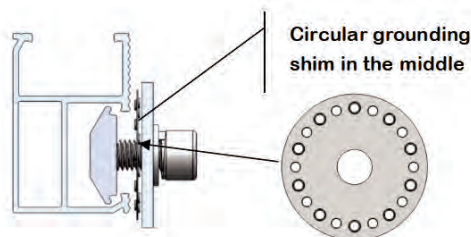


# INSTALLATION

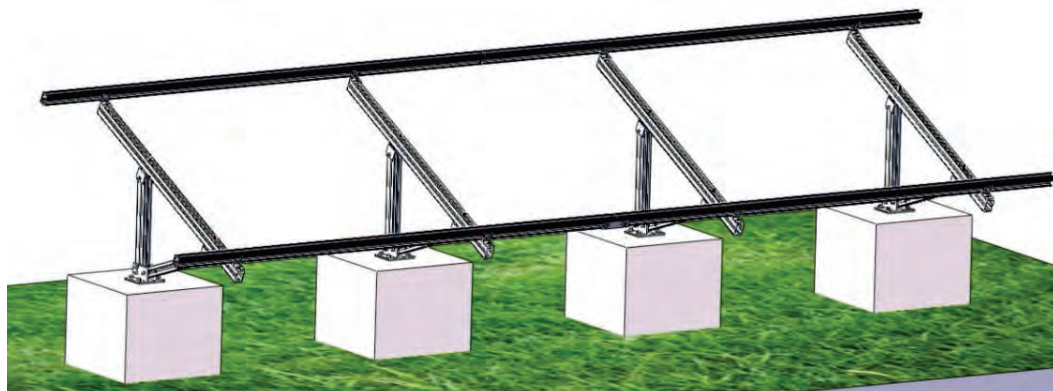
## B) Rail Assembly



Follow the diagrams to secure the rails to the previously installed L feet. Use the splice connectors to join rail sections together, leaving a 0.1 – 0.2 in. (3 – 5 mm) expansion gap between rail joints.



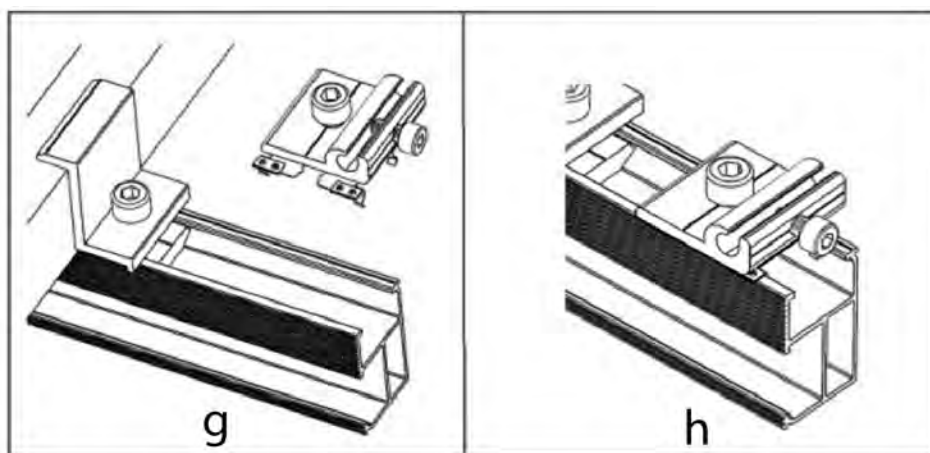
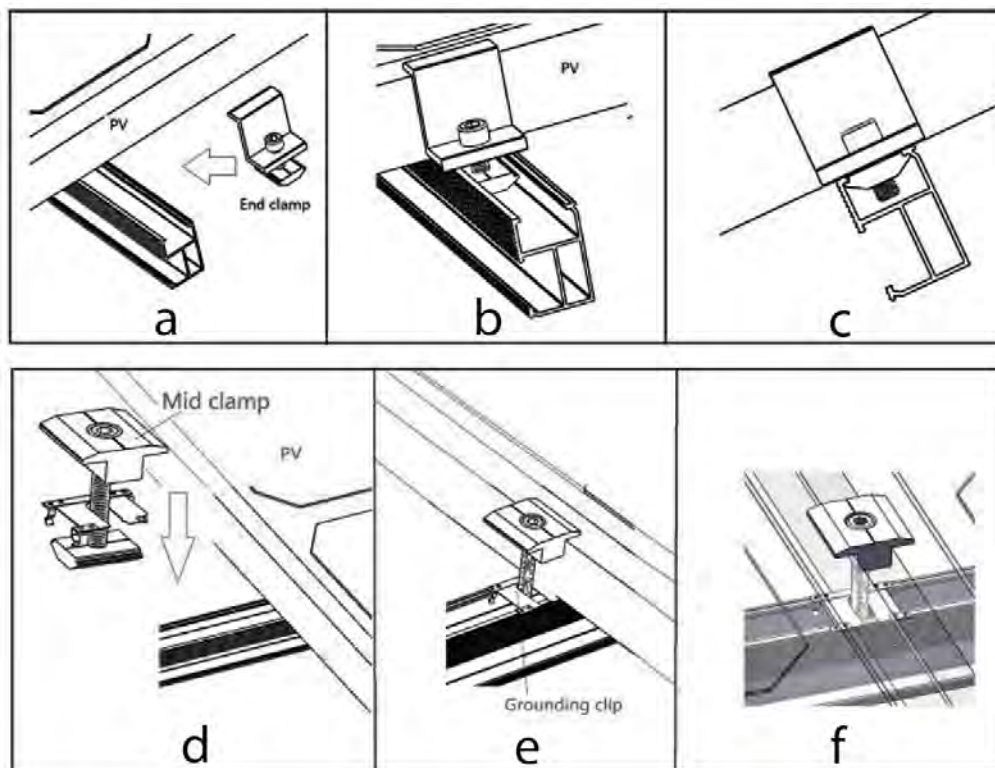
Completed rail assembly.





## PV ATTACHMENT

Install PV modules using the end clamps and mid clamps along with the grounding clips to secure them to the mounting rails. Follow the steps illustrated to the right for proper installation.



Install grounding lugs on the end of the rails to attach a grounding wire for proper array protection.